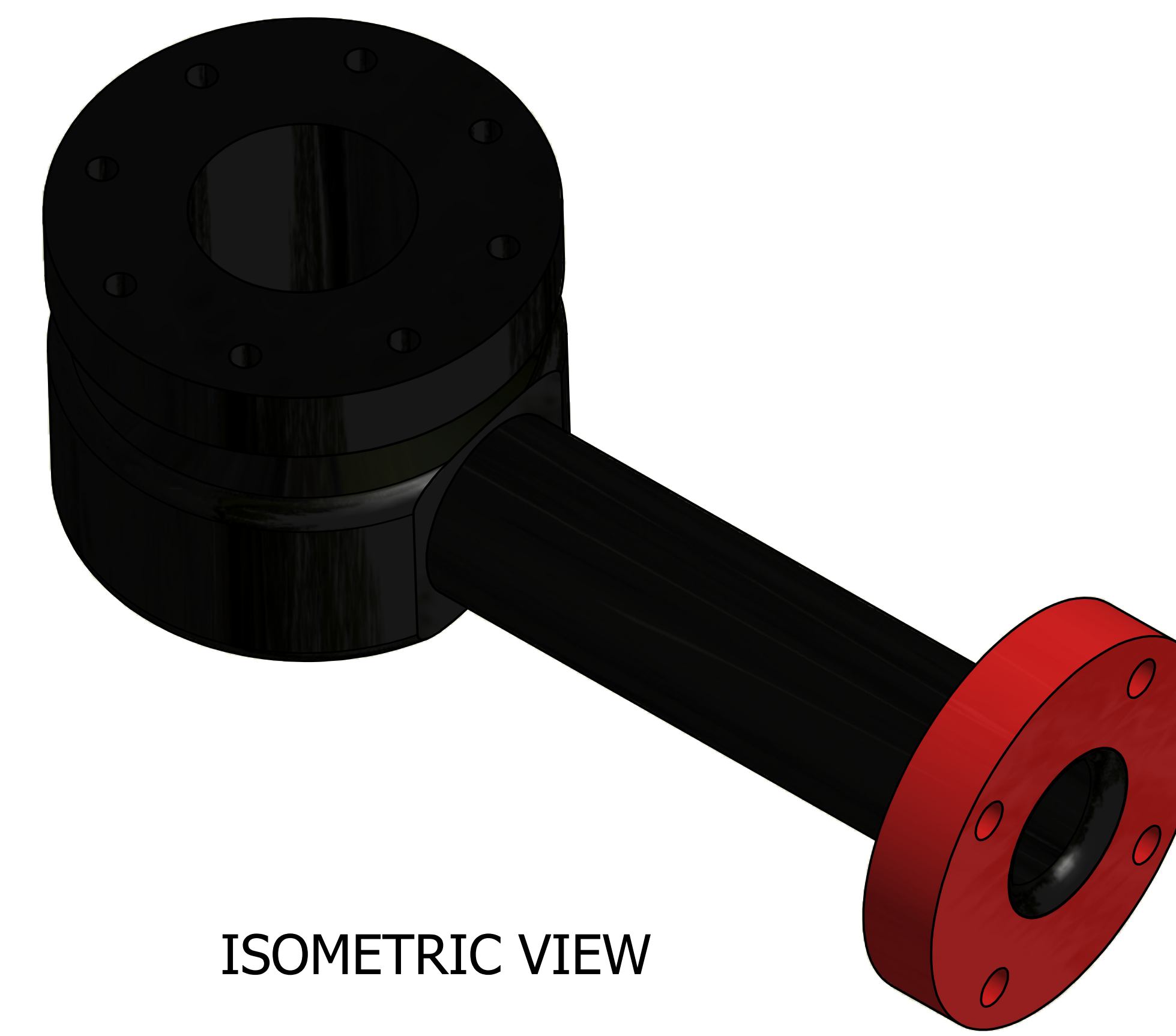
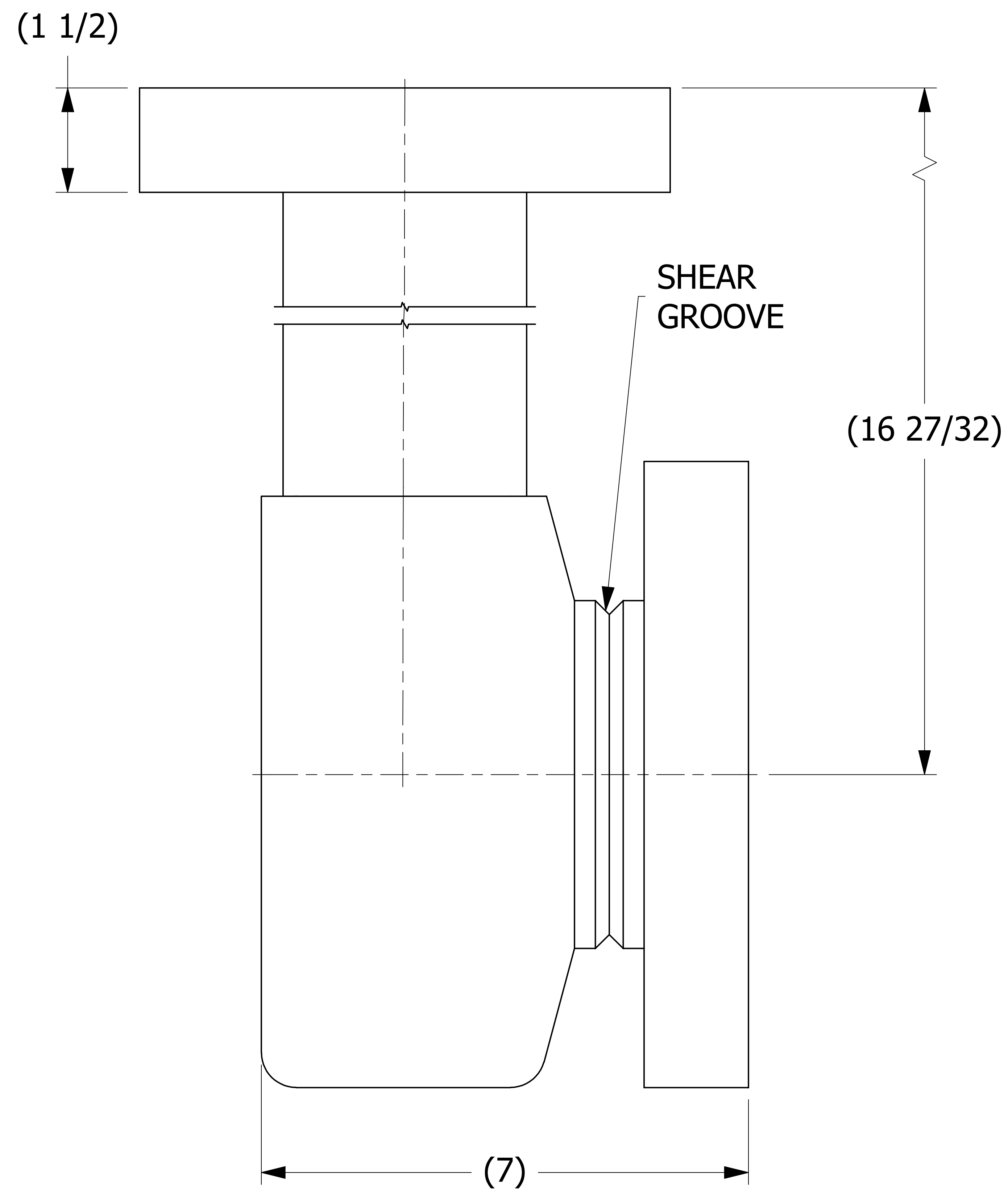
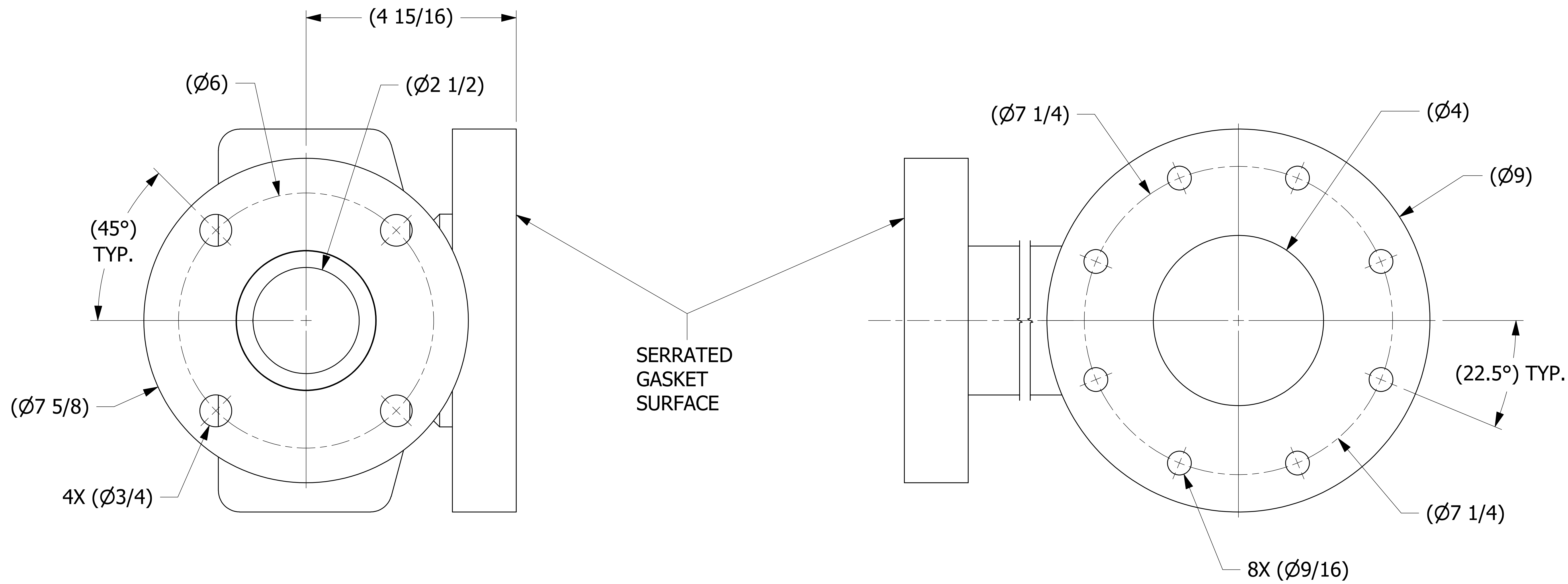


SALES DRAWING SALES DRAWING

SALES DRAWING SALES DRAWING



ISOMETRIC VIEW

UNLESS OTHERWISE SPECIFIED DIMENSIONAL TOLERANCES FRACTIONAL: $\pm 1/16$ X.XX: $\pm .03$ X.XXX: $\pm .015$ ANGULAR: $\pm 1^\circ$ DEBURR ALL SHARP EDGES. ALL MACHINED SURFACES TO HAVE A 125 RMS FINISH UNLESS NOTED OTHERWISE. THIRD ANGLE PROJECTION	DRAWN BY:	TAK
	CHECKED BY:	WRB
	PROTOTYPE BY:	TAK
	PROTOTYPE DATE:	11/12/2014
	APPROVED FOR PRODUCTION BY:	TAK
	PRODUCTION DATE:	11/14/2014

A TAK 11-14-14 RELEASED FOR PRODUCTION		
REV	BY	DATE DESCRIPTION
PART NAME: PIPE ELBOW 4" TTMA X3"X90°		
MATERIAL: SALCO PE		
PROJECT #:	H140923	SHEET #: 1 OF 1 SCALE: 1:1
DRAWING #:	E40327	PART #: HS4X3X90PE10